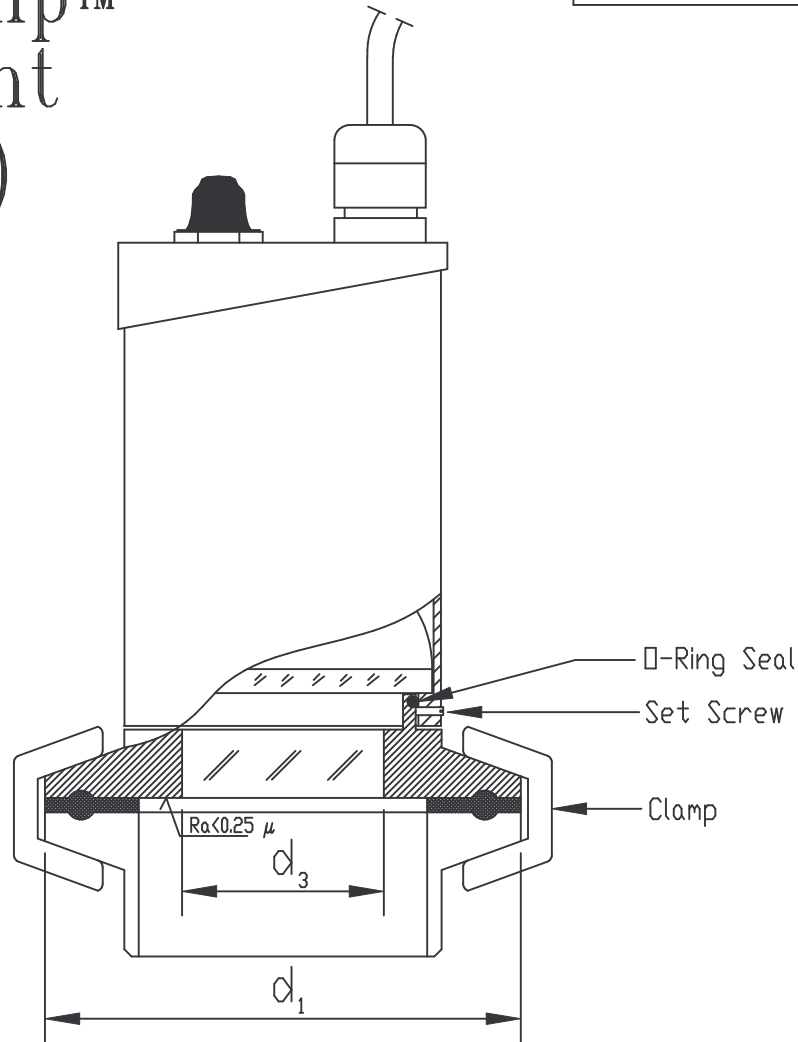


MetaClamp™ with Light (USL 33)



MANUFACTURED AND TESTED IN CONFORMANCE WITH A.D. STANDARDS SERIES H.P. & A.D. STANDARD WD/ TRD 100
 SIGHT GLASS FUSED TO METAL CONFORMING TO DIN 7079
 GLASS: BOROSILICATE (DIN 7080)
 RING MATERIAL: DUPLEX STAINLESS STEEL (1.4462)
 CONSULT FACTORY FOR OPTIONAL RING MATERIALS
 MAXIMUM ALLOWABLE WORKING TEMPERATURE: 536°F (280°C)
 PRESSURE AND TEMPERATURE RATINGS SHOWN ARE FOR METACLAMP DISC ONLY

STANDARD TUBE OD	d ₁	d ₃	MAXIMUM PRESSURE @ 450°F
	INCH (MM)	INCH (MM)	PSIG (BAR)
1", 1 1/2"	1.99 (51)	0.98 (25)	230 (16)
2"	2.52 (64)	1.18 (30)	230 (16)
3"	3.58 (91)	1.38 (35)	150 (10)
4"	4.69 (119)	1.38 (35)	150 (10)



		METAGLAS® SIGHT GLASS DISC FOR SANITARY CLAMPS SERIES METACLAMP WITH LIGHT		L. J. STAR INCORPORATED P.O. BOX 1116 TWINSBURG, OH 44087 (330)405-3040 * FAX (330)405-3070 WEBSITE: WWW.LJSTAR.COM E-MAIL: VIEW@LJSTAR.COM	
10/12/06 Removed 3A		DATE	NAME		
3/10/03 Added 3 and 4 inch size	DES.	06/01/00			
2/5/01 Changed to one o-ring seal	CHE'D.				