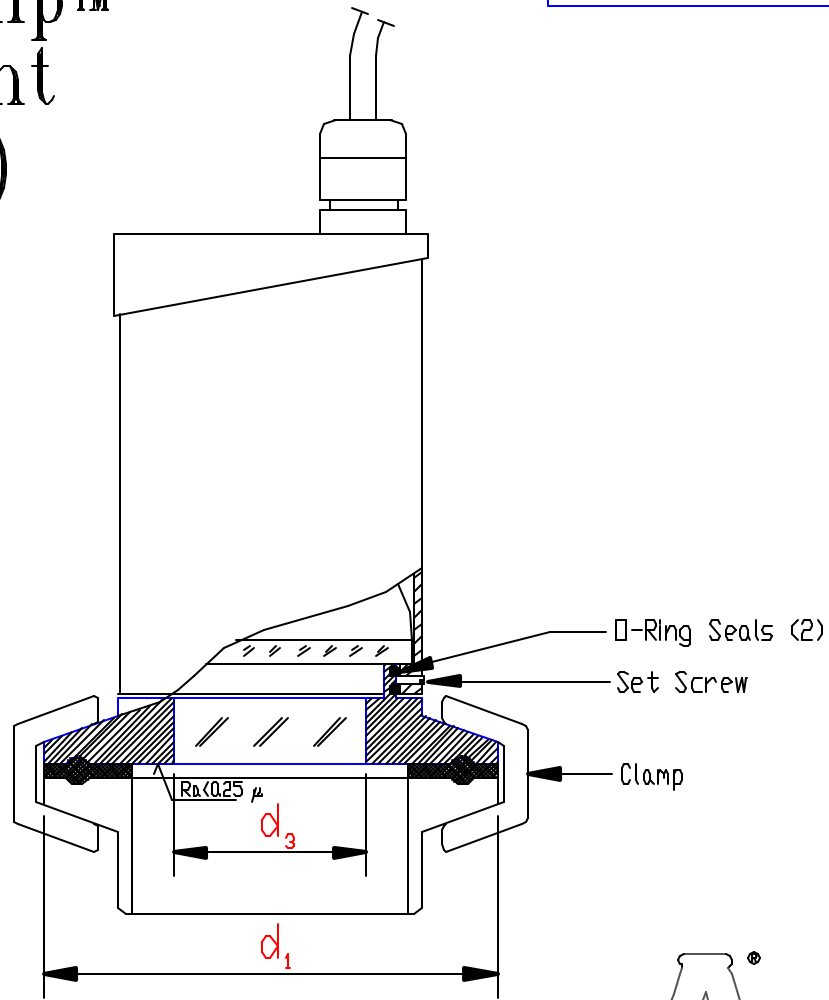


# MetaClamp™ with Light (USL 35)



MANUFACTURED AND TESTED IN CONFORMANCE WITH A.D.  
STANDARDS SERIES H.P. & A.D. STANDARD WD/ TRD 100  
SIGHT GLASS FUSED TO METAL CONFORMING TO DIN 7079  
GLASS: BOROSILICATE (DIN 7080)

RING MATERIAL: DUPLEX STAINLESS STEEL (1.4462)  
CONSULT FACTORY FOR OPTIONAL RING MATERIALS

MAXIMUM ALLOWABLE WORKING TEMPERATURE: 536°F (280°C)  
PRESSURE AND TEMPERATURE RATINGS SHOWN ARE FOR  
META CLAMP DISC ONLY

STANDARD TUBE OD	d <sub>1</sub>	d <sub>3</sub>	MAXIMUM PRESSURE @ 450°F
	INCH (MM)	INCH (MM)	PSIG (BAR)
3"	3.58 (91)	1.57 (40)	150 (10)
4"	4.69 (119)	2.17 (55)	150 (10)
6"	6.57 (167)	2.36 (60)	90 (6)

		<b>METAGLAS®</b> SIGHT GLASS DISC FOR SANITARY CLAMPS SERIES META CLAMP WITH LIGHT		<b>L. J. STAR INCORPORATED</b>	
				P.O. BOX 1116 TWINSBURG, OH 44087 (330)405-3040 * FAX (330)405-3070 WEBSITE: WWW.LJSTAR.COM E-MAIL: VIEW@LJSTAR.COM	
		DATE	NAME		
		DES.	06/01/00		
		CHE'D			