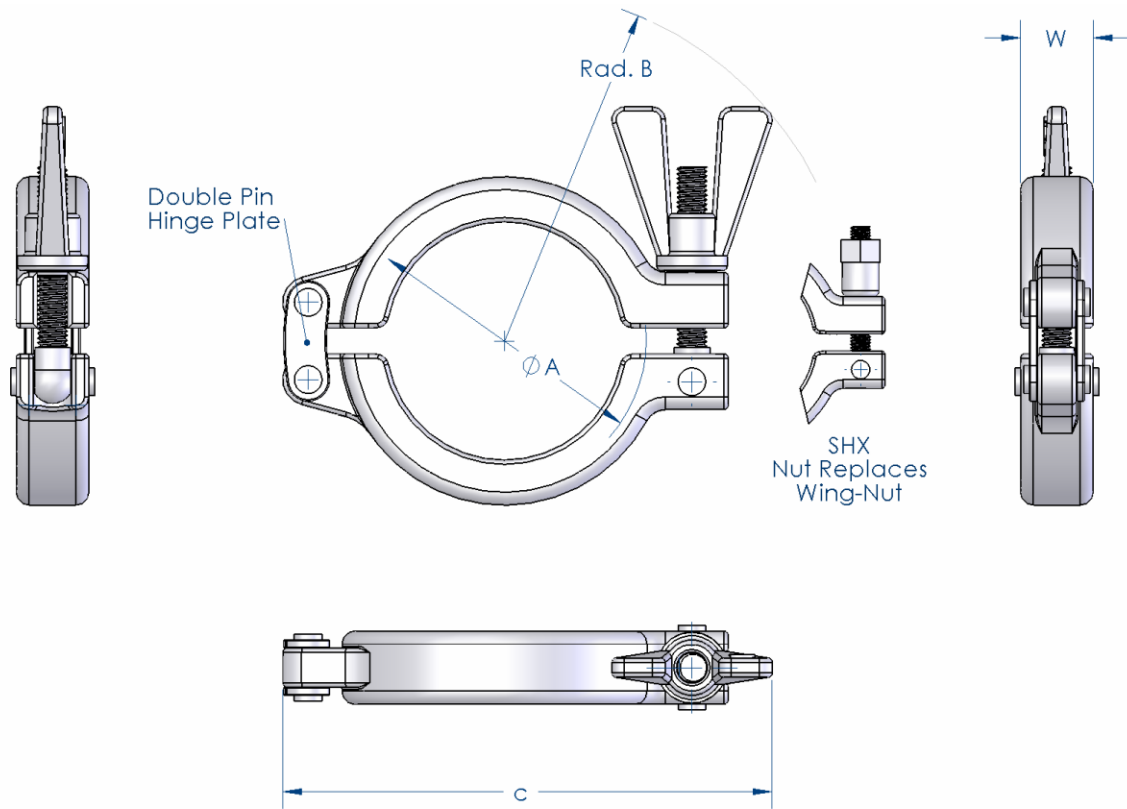


**HYGIENIC  
CLAMPS  
SH-TYPE – SINGLE BOLT**

<b>Material</b>	316 / 1.4401
<b>Application</b>	Normal / Heavy Duty
<b>Hinge Lay-Out</b>	Double Rivet Hinge Plate



SH TYPE CLAMP - SINGLE BOLT							
Nominal Clamp Size	Dimension (mm)				Mass (Kg)	Ordering Codes SH	Ordering Codes SHX
	Flange ØA	Rad. B	Length C	Width W			
1/2"-3/4"	25.4	63.0	75.0	17.0	0.15	C005.6.SH1	C005.6.SHX1
1"-1 1/2"	50.5	77.0	102.0	17.0	0.25	C010.6.SH1	C010.6.SHX1
2"	64.0	93.0	123.0	17.0	0.33	C020.6.SH1	C020.6.SHX1
2 1/2"	77.5	100.0	140.0	17.0	0.38	C025.6.SH1	C025.6.SHX1
3"	91.0	105.0	150.0	17.0	0.44	C030.6.SH1	C030.6.SHX1
3 1/2"	106.0	110.0	165.0	17.0	0.44	C035.6.SH1	C035.6.SHX1
4"	119.0	119.0	185.0	17.0	0.57	C040.6.SH1	C040.6.SHX1
4 1/2"	130.0	119.0	191.0	17.0	0.60	C045.6.SH1	C045.6.SHX1
5"	144.0	131.0	215.0	19.0	0.75	C050.6.SH1	C050.6.SHX1
5 1/2"	155.0	155.0	252.0	24.0	1.39	C055.6.SH1	C055.6.SHX1
6"	167.0	156.0	262.0	24.0	1.38	C060.6.SH1	C060.6.SHX1
6 5/8"	183.0	164.0	280.0	24.0	1.61	C066.6.SH1	C066.6.SHX1
8"	217.0	184.0	325.0	24.0	2.11	C080.6.SH1	C080.6.SHX1
8 5/8"	233.0	185.0	333.0	24.0	2.25	C086.6.SH1	C086.6.SHX1

L.J. STAR INCORPORATED  
P.O. Box 1116 \* Twinsburg, OH 44087  
Tel: 330/405-3040 | Fax: 330/405-3070  
e-mail: view@ljstar.com  
website: www.ljstar.com

