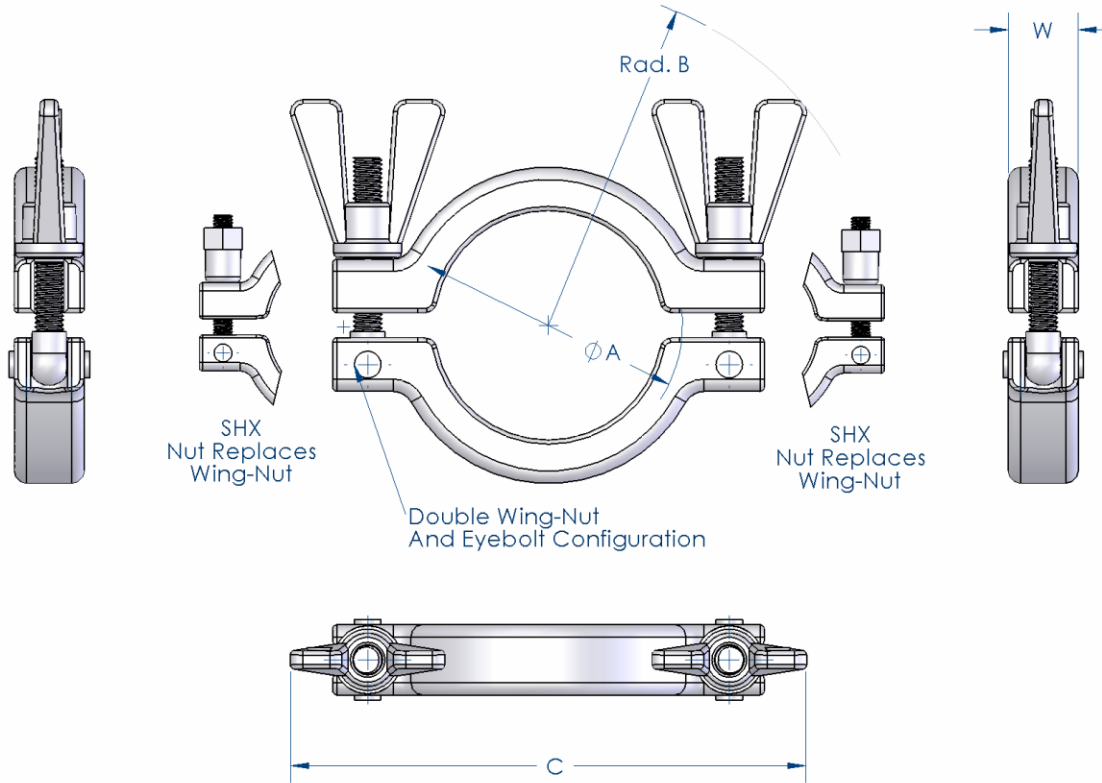


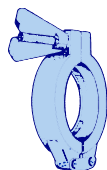
**HYGIENIC
CLAMPS**
SH-TYPE CLAMP – DOUBLE BOLT

Material	316 / 1.4401
Application	Normal / Heavy Duty
Hinge Lay-Out	Length Adjustable Eyebolt



SH TYPE CLAMP - DOUBLE BOLT							
Nominal Clamp Size	Dimension (mm)				Mass (Kg)	Ordering Codes SH	Ordering Codes SHX
	Flange ØA	Rad. B	Length C	Width W			
5 1/2"	155.0	155.0	265.0	24.0	1.47	C055.6.SH2	C055.6.SHX2
6"	167.0	156.0	277.0	24.0	1.67	C060.6.SH1	C060.6.SHX2
6 5/8"	183.0	164.0	297.0	24.0	1.69	C066.6.SH1	C066.6.SHX2
8"	217.0	184.0	332.0	24.0	2.19	C080.6.SH1	C080.6.SHX2
8 5/8"	233.0	185.0	353.0	24.0	2.34	C086.6.SH1	C086.6.SHX2
10"	268.0	205.0	382.0	24.0	2.78	C100.6.SH1	C100.6.SHX2
10 3/4"	286.0	213.0	405.0	24.0	2.97	C108.6.SH1	C108.6.SHX2
12"	319.0	242.0	458.0	24.0	3.69	C120.6.SH1	C120.6.SHX2
12 3/4"	338.0	243.0	463.0	24.0	3.37	C128.6.SH1	C128.6.SHX2

L.J. STAR INCORPORATED
P.O. Box 1116 * Twinsburg, OH 44087
Tel: 330/405-3040 | Fax: 330/405-3070
e-mail: view@ljstar.com
website: www.ljstar.com



LJSTAR
INCORPORATED