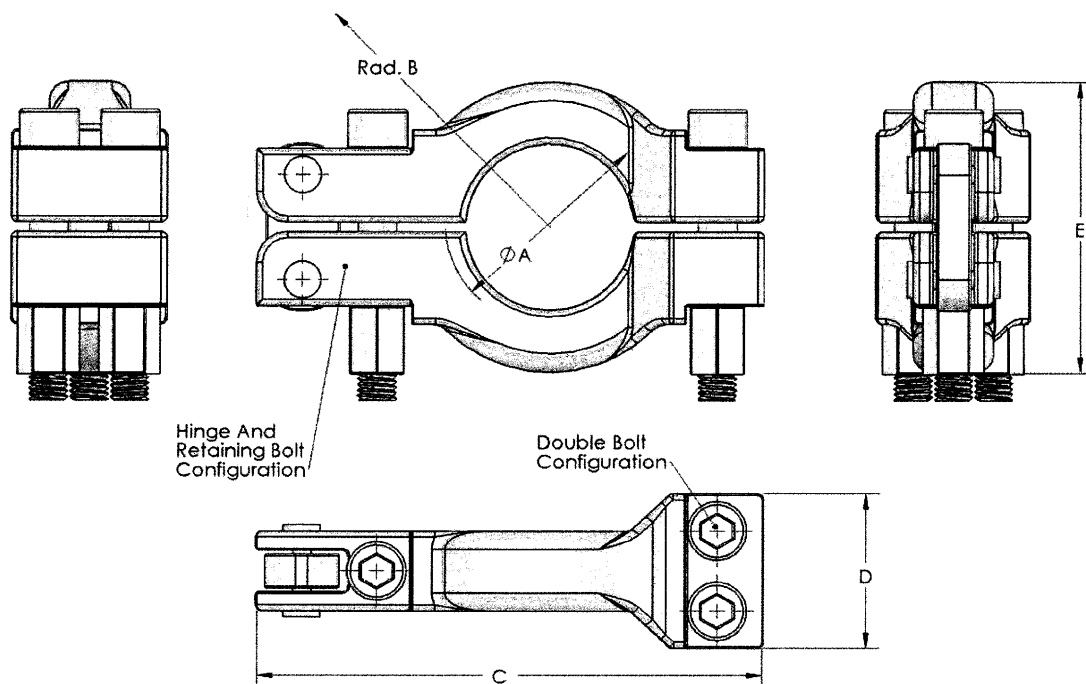


<b>Material</b>	316 / 1.4401
<b>Application</b>	Pressure Vessel
<b>Hinge Lay-Out</b>	Hinge Plate & Safety Bolt

# PHARMACEUTICAL CLAMPS ASME VIII PRESSURE VESSEL



## ASME VIII CLAMPS

Nominal Clamp Sized	Dimensions (mm)					Mass (Kg)	Ordering Codes ASME VIII
	Flange ØA	Rad B	Length C	Length D	Length E		
1" - 1 1/2"	50.5	85.0	145.0	50.0	80.0	1.80	CL.AS8.0100
2"	64.0	97.0	163.0	50.0	94.0	1.96	CL.AS8.0200
3"	91.0	115.0	203.0	50.0	124.0	3.20	CL.AS8.0300
4"	119.0	135.0	233.0	50.0	160.0	3.68	CL.AS8.0400
6"	167.0	160.0	281.0	50.0	206.0	4.70	CL.AS8.0600
6 5/8"	183.0	170.0	300.0	50.0	222.0	4.98	CL.AS8.0658
8"	217.0	185.0	333.0	50.0	258.0	5.45	CL.AS8.0800
10"	268.0	210.0	385.0	50.0	308.0	6.30	CL.AS8.1000
12"	319.0	235.0	433.0	50.0	358.0	7.02	CL.AS8.1200

L. J. STAR INCORPORATED  
P.O. BOX 1116  
TWINSBURG, OH 44087

### Advanced Couplings Ltd

Thwaites Bridge | Keighley | West Yorkshire | BD21 4LJ | UK  
Tel: 0044 (0) 1535 669 216 | Fax: 0044 (0) 1535 610 243  
e-mail: sales@advanced-couplings.co.uk  
web: www.advanced-couplings.co.uk

