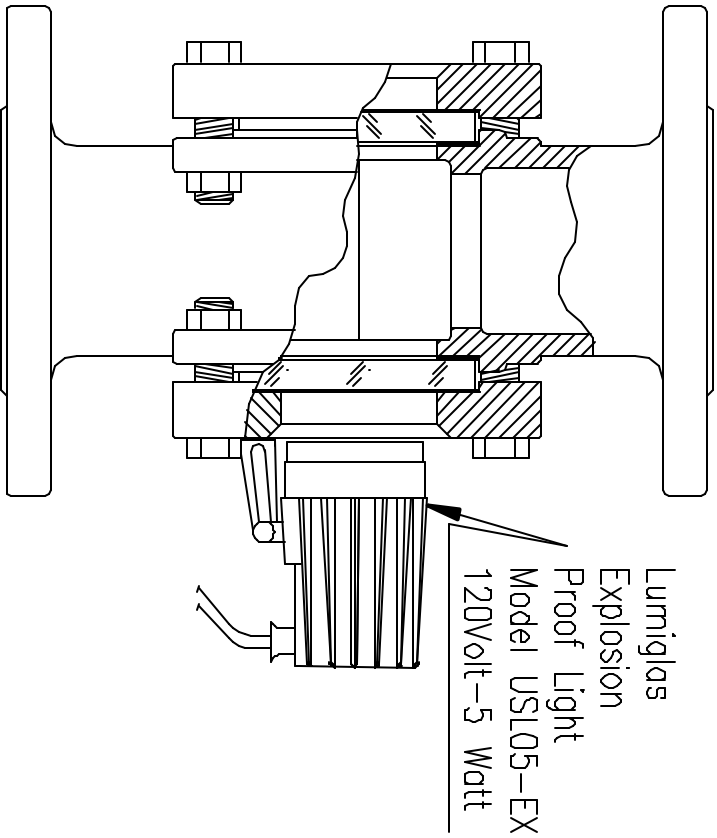
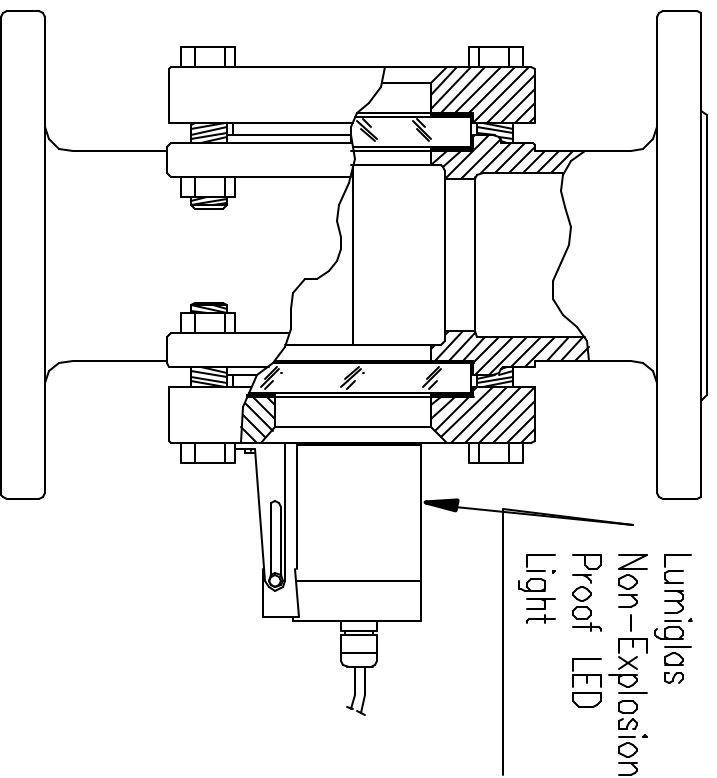


**SIGHT FLOW WITH LUMIGLAS USL05-EX**



**SIGHT FLOW WITH LUMIGLAS LED**



REV.	DESCRIPTION OF CHANGE	DATE	NAME

**SIGHT FLOW INDICATORS  
WITH LUMIGLAS  
LIGHTS**

**L. J. STAR INCORPORATED**  
P.O. BOX 1116  
TWINSBURG, OH 44087  
(330) 405-3040 \* FAX (330) 405-3070

CERTIFIED: \_\_\_\_\_

DATE: \_\_\_\_\_

PART NO. \_\_\_\_\_

DRAWING NUMBER \_\_\_\_\_

**ENG-003A**