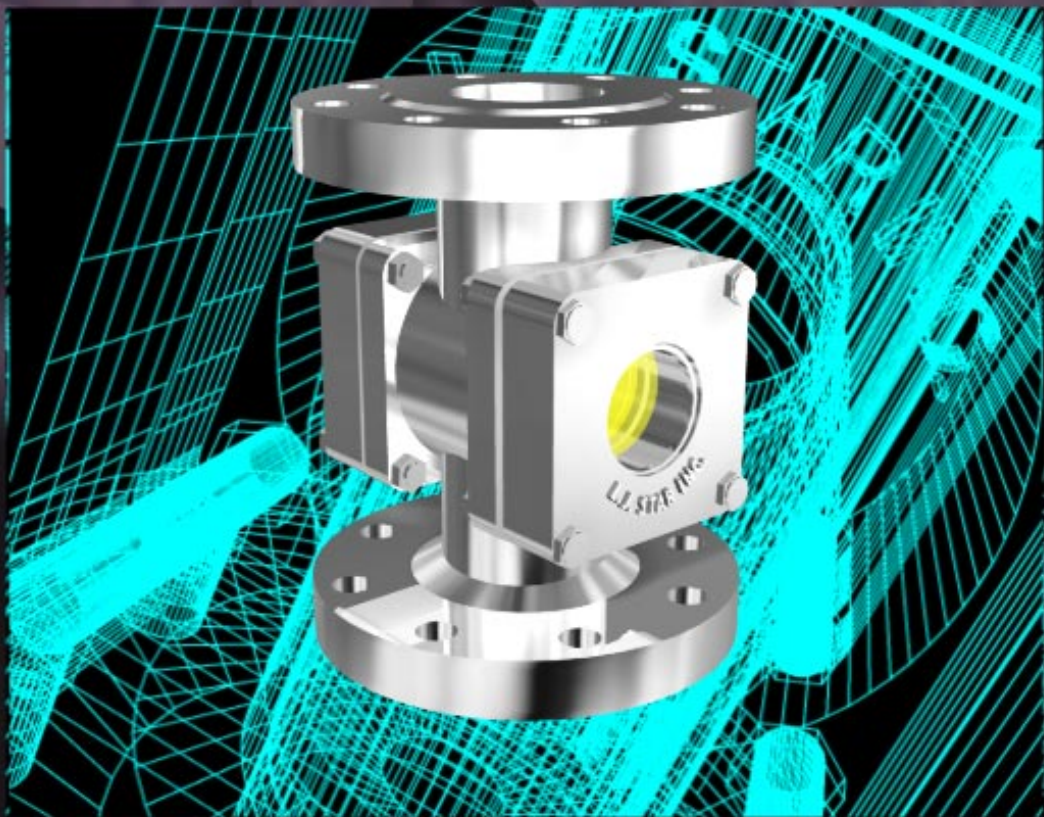


*L.J. Star Incorporated
Introduces A New Standard in
Visual Flow Indicators*



*...and Creates the New Standard for
Excellence in the Sight Flow Industry*

L.J. Star Incorporated is proud to announce the introduction of our new product line of Visual Flow Indicators...

Our new product line presents a wide range of standard and full view models to fill your specific application needs. All standard units carry full ANSI rating and are available in several application-specific configurations.

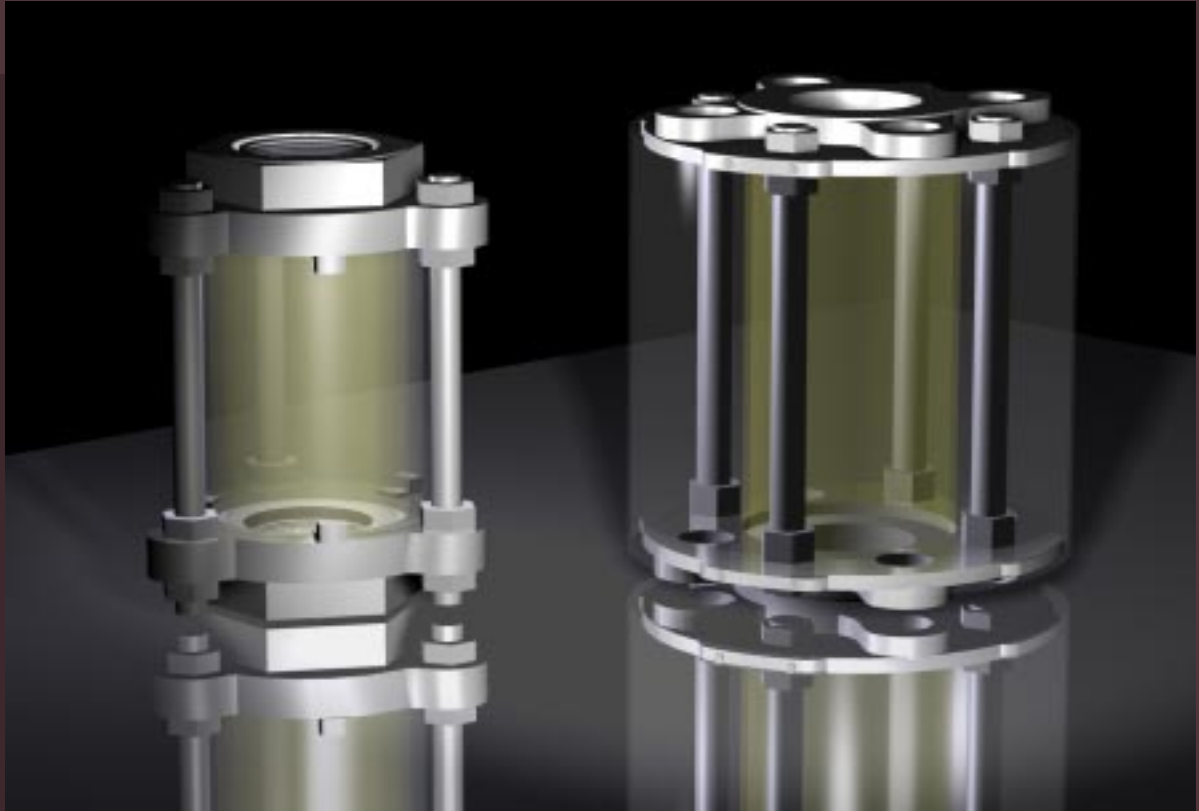


Standard models include Flanged units ($\frac{1}{2}$ " - 8") and Threaded units ($\frac{1}{2}$ " - 2") ANSI designed for 150 psi, 300 psi, or 600 psi. Depending on your application, these units are available in rotator, flapper, drip tube, or plain models. Standard alloys include 316 stainless steel and carbon steel. Special alloys, including Monel[®], Hastelloy[®], and Alloy 20 may also be ordered. Standard gasket materials include neoprene and PTFE. BUNA N, Viton[®], silicone, graphite, and non-asbestos gaskets are available upon request.

Safety and maintenance considerations are of paramount importance in the design of all units manufactured by L.J. Star Incorporated. *Independent bolting for glass retainers* provides individual glass retention for ease of maintenance and replacement under field conditions. This feature also serves as a unique safety mechanism that helps ensure system integrity and operator security.

On our products, this is a standard feature, *not an option*.

...designed and manufactured to the most exacting engineering standards, our products are fully supported by our personal commitment to quality, safety, value and service.



Full view models are available as either flanged or threaded units. Threaded units are available in sizes 1/8" to 2" and flanged units in sizes 1/2" to 12". Standard materials are carbon steel and stainless steel. Other alloys available upon request. Impact deterrent shields are standard on full view models; metal shields are also available

Compare the following standard features on products from L.J. Star Incorporated with standard features available in other product lines and you will see for yourself why we claim the highest performance value in the sight flow industry.

- ① Full ANSI Rated
- ① Independently Bolted Glass Retainers
- ① Tempered Borosilicate Glass
- ② Investment Cast Surface Finish
- Acrylic Enamel Coating (Carbon Steel Unit)
- ① Cast Steel Glass Retainers
- ① Stainless Steel Glass Retainers and Teflon® Gaskets (Stainless Steel Units)
- Impact Shields (Full View Models)
- In-Stock Delivery



① Available on Standard Units Only
 ② Available on Sizes 4" and Under

L.J. Star

Setting the Standard of Design in the Sight Flow Industry

Over two years of engineering and design have resulted in the evolution of a new industry standard for sight flow indicator technology.

Uncompromising levels of quality and safety are now available in the complete L.J. Star line of affordable, full ANSI rated visual flow indicators.

L.J. Star Incorporated products offer technological excellence by which all other sight flow indicators will be compared.

At L.J. Star Incorporated, these qualities are standard, not optional.

L.J. STAR
INCORPORATED

P.O. Box 1116 • Twinsburg, OH 44087
(330) 405-3040 • Fax (330) 405-3070

Website: www.ljstar.com • E-mail: view@ljstar.com