

Sterile Visual Flow Indicators Are FDA Compliant & 3-A Approved

Data Sheet 01-0080
5/02



Designed to be mounted in-line for high purity applications, these sterile-design visual flow indicators provide operators with a clear view of flow of virtually any process pipeline fluid or powder. They feature an internal-flush style that is 3-A approved with FDA compliant materials, based on a unique O-ring seal design that minimizes traps where bacteria can buildup. Polished stainless steel connections include sanitary clamp as standard, with orbital weld, BBS Quick Connect, Swagelok TS, flange or union as special order items.

Other premium standard features include the use of borosilicate glass, a product contact surface of 0.6 μm (200 Grit) Electropolish and an armored housing to help protect the glass from external objects and pipe stress. Units can be used during SIP/CIP and sterilizing/autoclaving.

Units are available in tube OD sizes from 3/8 to 4 inches with standard lengths from 2-1/2 to 7-7/8 inches, depending on OD and ratings up to 150 PSIG. Custom designs and lengths are also available.

Standard material of construction is 316L Stainless Steel with full material traceability. For corrosive service, Hastelloy[®] is also available. EPDM is the standard O-ring material with Silicone, Viton[®], and FEP jacketed Silicone as options.

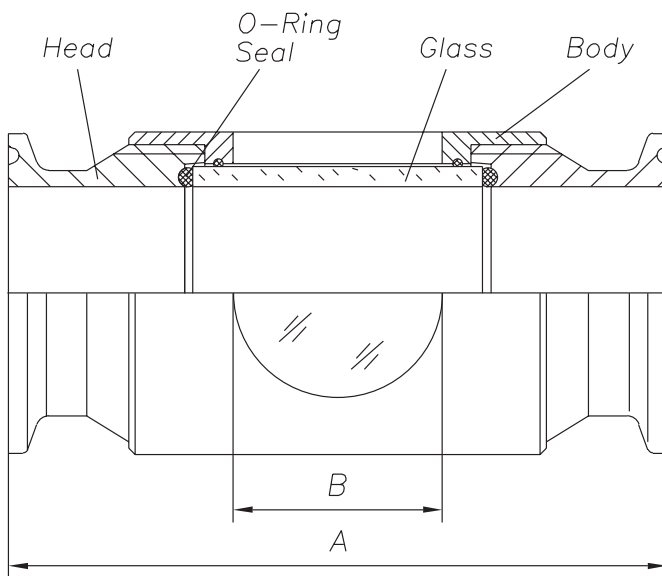
For additional information and applications assistance contact:

L.J. Star Incorporated

P.O. Box 1116, Twinsburg, OH 44087

Phone: (330) 405-3040 • Fax: (330) 405-3070

Web Page: www.ljstar.com • e-mail: view@ljstar.com



Tube OD	A (mm)	B (mm)
3/8"	65 (2.56")	20 (0.79")
1/2"	76 (2.99")	20 (0.79")
3/4"	87 (3.43")	30 (1.18")
1"	91 (3.58")	30 (1.18")
1-1/2"	105 (4.13")	32 (1.26")
2"	120 (4.72")	48 (1.89")
2-1/2"	151 (5.93")	55 (2.17")
3"	175 (6.89")	90 (3.54")
4"	200 (7.87")	110 (4.33")

L.J. STAR
INCORPORATED