



Lumiglas Explosion-Proof Light Model USL 08-EX

UL 844 Listed T3B, T4A

**For fitting to sight/light ports and
specific area lighting**

Approved for wet conditions (UL 1571)

Application

This compact, powerful light can be used for integral light/sight port (single port version) or separate light and sight port (dual port version) and also to illuminate the internals of visual flow indicators, pipelines, laboratory mixers and other vessels and reactors which are normally closed.

The USL 08-EX is excellent for specific area lighting such as instruments, control panels, valve manifolds, walkways, etc. These sturdy lights are constructed of corrosion-resistant aluminum alloy and are moisture-proof as well as explosion-proof (hazardous locations) so they are equally well suited for use in demanding installations indoors and out. Both spot and flood lamp configurations are available for particular applications.

Sight Glass Styles

This light is designed to give glare-free illumination in combination with the following sight glass styles:

- bolt-on circular flanges
- circular weld pad
- visual flow indicators (standard or full-view)
- circular threaded assemblies (sanitary) larger than 4"
- specific area lighting

Protection

UL 844 listed for Class I, Div 1 & 2, Group C&D.
Approved for wet conditions, UL 1571

Temperature Operating Conditions

Temperature range (operating temperature) is referenced to 40°C ambient.

Lamp

Medium base 35W Spot, 35W Flood, 50W Spot, 50W Flood, or 100W Flood halogen lamp with built-in reflector. See Table 1 for part number.

Lamp Socket

E26

Mounting Brackets

Straight mounting brackets are for use on single sight ports from 3" to 6". Angle (offset) brackets are available for 6" and larger for single light/sight port combinations. Brackets are adaptable to various types of mounting configurations for area lighting.

Exclusively Stocked and Distributed by



Lumiglas USL 08-EX with mounting brackets



Lumiglas USL 08-EX installed on a circular sight port DIN 28120



L.J. STAR

INCORPORATED

PO Box 1116 • Twinsburg, OH 44087 • (216) 405-3040 • FAX 405-3070

USL 08-EX Installation Instructions

General (See detailed instruction manual)

The light is usually bolted by twin brackets to the sight glass assembly, i.e. to the cover flange of a bolted circular sight glass, the cover nut of a circular threaded assembly (type MV), Visual flow indicator (3" and larger), or mounted for area illumination. The Lumiglas USL 08-EX can be used for the following sight glass sizes and larger:

- bolted circular flanges, 3"
- circular threaded assemblies, 4"
- visual flow indicators, 3"

Electrical Connection Installation

1. Disconnect main power supply
2. Remove side entrance cover
3. Attach power leads to terminal posts
4. Replace cover insuring gasket (o-ring) is in place. Tighten.
5. Connect power

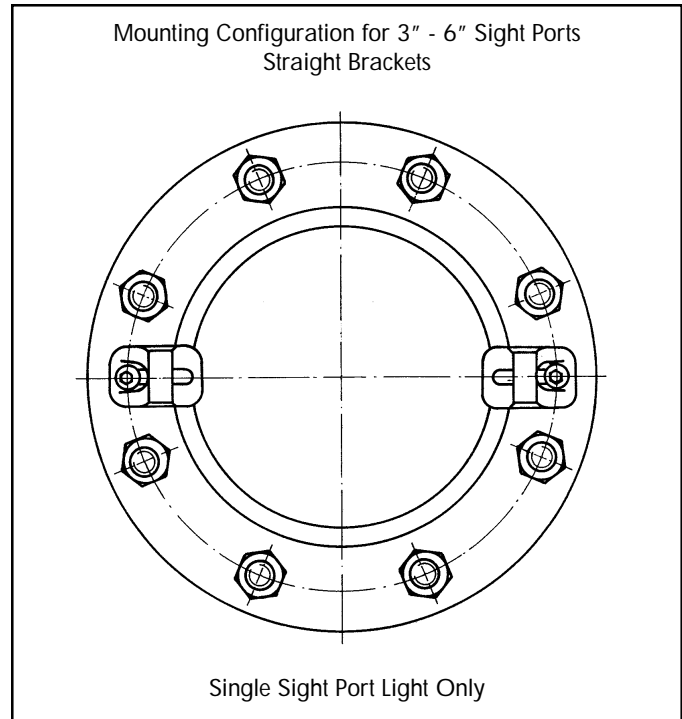
Connections to be in accordance with National Electric Code® Requirements

Lamp Replacement

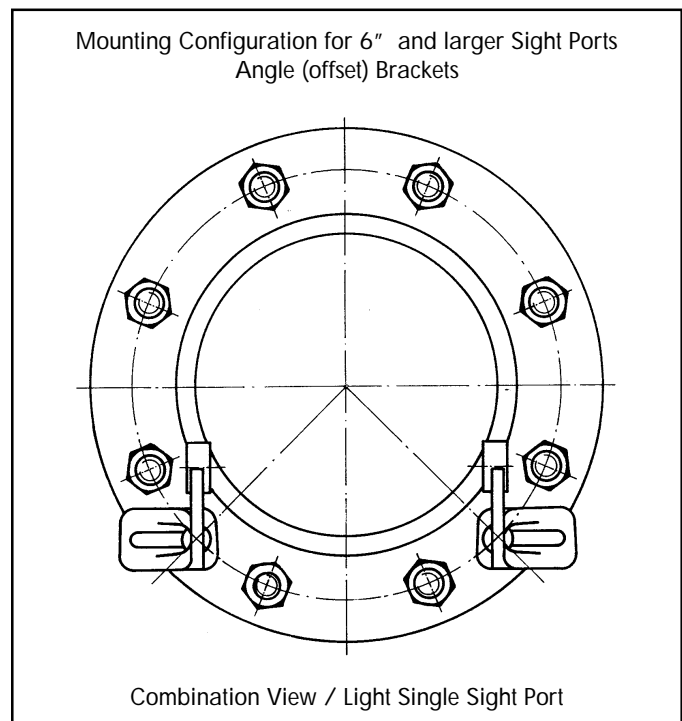
1. Switch off the light and disconnect power
2. Remove top cover
3. Loosen socket bracket. Removal of the screw is not necessary
4. Remove lamp socket bracket assembly
5. Replace bulb. Use only approved bulb (table 1)
6. Replace lamp socket bracket assembly
7. Tighten bracket screw
8. Reinstall top cover insuring cover gasket (o-ring) is in place. Tighten.
9. Connect power supply

Parts, Construction and Materials:

- Luminaire body: Corrosion resistant die cast aluminum, G-Al Si 10 Mg
- Lens Holder: Unit of aluminum ring, glass
- Brackets: Die cast Aluminum, G-Al Si 10 Mg
- Weight: 7 lb.
- Gaskets: Silicone rubber o-rings



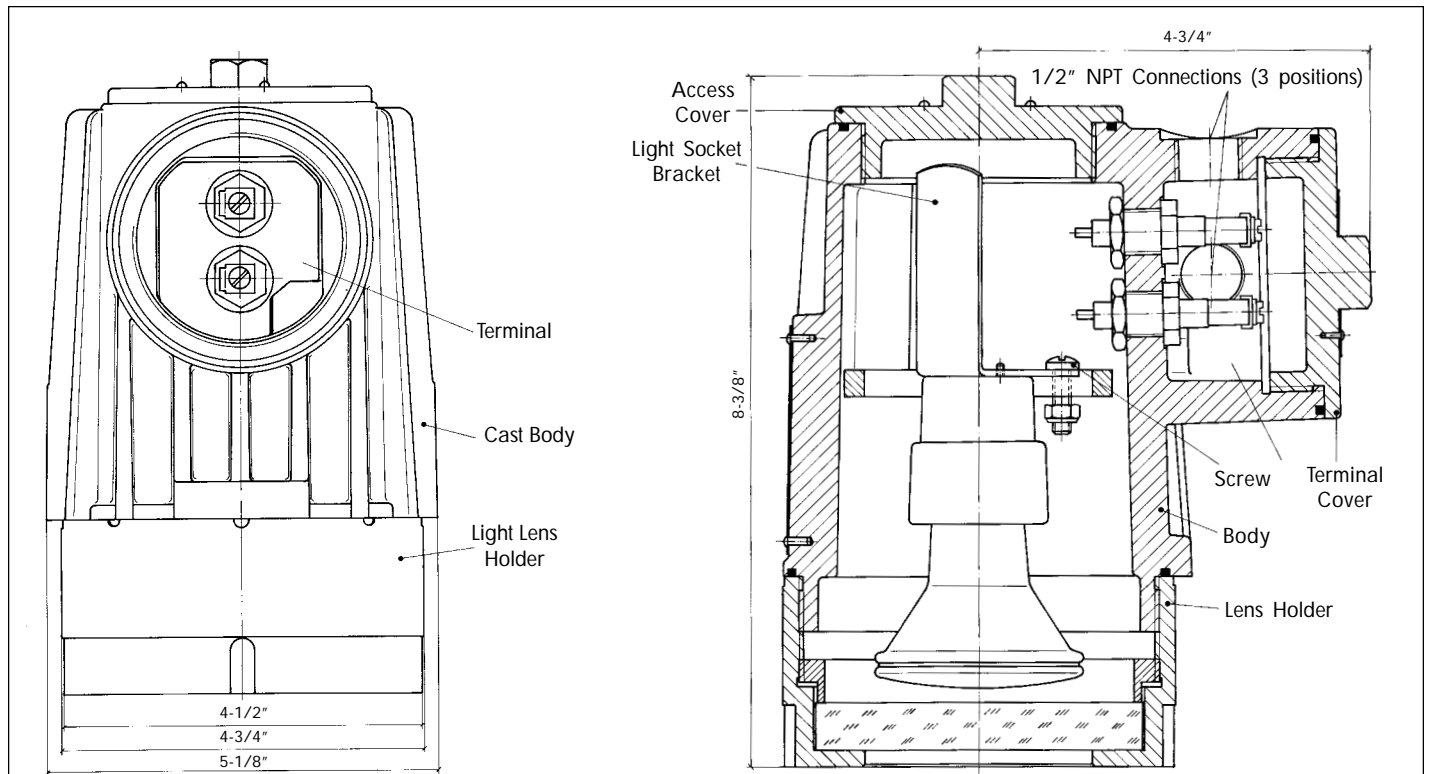
Lumiglas USL 08-EX light port installation on hinged bracket (straight). Suitable for 3" - 6" sizes. Separate view port must be used.



Lumiglas USL 08-EX installation on a combined light/sight port.



Dimensions and Connection Data for USL 08-EX



Weight 7 lbs.

TABLE 1

	USL 08-EX	Part No. Complete Unit	Volts	Socket	Power Req.	Part No. Bulb	Temperature Class for max. Ambient Temp. 40° C
1	(120 V) Spot 35 W	EX08-N35 S	120	E26	120 V/35 W	BLB N35 E26S	T4A
2	(120 V) Flood 35 W	EX08-N35 F	120	E26	120 V/35 W	BLB N35 E26F	T4A
3	(120 V) Spot 50 W	EX08-N50 S	120	E26	120 V/50 W	BLB N50 E26S	T3B
4	(120 V) Flood 50 W	EX08-N50 F	120	E26	120 V/50 W	BLB N50 E26F	T3B
5	(120 V) Flood 100 W	EX08-N100F	120	E26	130 V/100 W	BLB N100 E26F	T3B

Mounting Brackets (Aluminum)
 Straight - Part # BRK EX08 S
 Angle - Part # BRK EX08 A

Mounting Bracket and bulb type must be specified when ordering.

Approximate Light Distributions

<div data-bbox="121 325 706 388" style="border: 1px solid black; padding: 5px;"> <p>CBCP: 900 cp Avg. Rated Life: 2500 hours Beam Spread: 30° Light Output: 400 lumens</p> </div> <div data-bbox="259 409 552 724" style="text-align: center;"> <p>Distance From Source Footcandles (at center)</p> <p>3' 100</p> <p>6' 25</p> <p>9' 11</p> <p>Diameter in Ft.</p> </div> <div data-bbox="308 735 747 787" style="text-align: center;"> <p>35 WATT FLOOD 1/95</p> </div>	<div data-bbox="828 325 1412 388" style="border: 1px solid black; padding: 5px;"> <p>CBCP: 3000 cp Avg. Rated Life: 2500 hours Beam Spread: 8° Light Output: 400 lumens</p> </div> <div data-bbox="812 399 1429 745"> <p>Distance From Source Footcandles (at center)</p> <p>3' 333</p> <p>6' 83</p> <p>9' 37</p> <p>Diameter (Ft)</p> </div> <div data-bbox="1023 735 1461 787" style="text-align: center;"> <p>35 WATT SPOT 1/95</p> </div>
<div data-bbox="121 840 706 903" style="border: 1px solid black; padding: 5px;"> <p>CBCP: 1250 cp Avg. Rated Life: 2500 hours Beam Spread: 30° Light Output: 525 lumens</p> </div> <div data-bbox="113 913 730 1249"> <p>Distance From Source Footcandles (at center)</p> <p>3' 139</p> <p>6' 35</p> <p>9' 15</p> <p>Diameter in Ft.</p> </div> <div data-bbox="308 1249 747 1302" style="text-align: center;"> <p>50 WATT FLOOD 1/95</p> </div>	<div data-bbox="828 840 1412 903" style="border: 1px solid black; padding: 5px;"> <p>CBCP: 4600 cp Avg. Rated Life: 2500 hours Beam Spread: 12° Light Output: 525 lumens</p> </div> <div data-bbox="812 913 1429 1249"> <p>Distance From Source Footcandles (at center)</p> <p>3' 511</p> <p>6' 128</p> <p>9' 57</p> <p>Diameter (Ft)</p> </div> <div data-bbox="1023 1249 1461 1302" style="text-align: center;"> <p>50 WATT SPOT 1/95</p> </div>
<div data-bbox="121 1354 706 1417" style="border: 1px solid black; padding: 5px;"> <p>MBCP: 1500 cp Avg. Rated Life: 2500 hours Beam Spread: 38° Light Output: 1000 lumens</p> </div> <div data-bbox="105 1428 714 1764"> <p>Distance From Source Footcandles (at center)</p> <p>3' 270</p> <p>6' 67</p> <p>9' 30</p> <p>Diameter in Ft.</p> </div> <div data-bbox="308 1764 747 1816" style="text-align: center;"> <p>100 WATT FLOOD 4/97</p> </div>	<div data-bbox="852 1407 1071 1585" style="border: 1px solid black; padding: 10px; width: fit-content; margin: 0 auto;"> <p>DIN ISO 9001/EN 29001 Zertifikat: QA 04 1003296</p> </div> <div data-bbox="1169 1407 1388 1585" style="border: 1px solid black; padding: 10px; width: fit-content; margin: 0 auto;"> <p>Approved Quality Assured Standard</p> <ul style="list-style-type: none"> • DIN ISO 9001 • EN 29001 </div> <div data-bbox="828 1627 1412 1785" style="text-align: center; margin-top: 20px;"> <p>Manufactured by F. H. Papenmeier GmbH & Co. KG PO BOX 16 20, D-58211 Schwerte, Germany</p> </div>

Exclusively Stocked and Distributed by

L.J. STAR

PO Box 1116 • Twinsburg, OH 44087 • (216) 405-3040 • FAX 405-3070

INCORPORATED