

**Lumiglas® Stainless Steel Luminaire, Series USL 15 & USL 35**

ISO 9001

DATA SHEET 02-0150 07/03

**For use with sight glass fittings**

This compact sight port luminaire is applicable for combination view/sight port (single port version) or separate light and sight port (dual-port version) with sight glass styles as follows:

- Circular weld-on sight glass series DIN 28 120 starting at DN 40
- Circular sight glass series ANSI Bolt-On starting at 2"
- Visual Flow Indicators starting at size 1"
- Circular weld-neck series MV starting at DN 50
- Sanitary clamp connection series MetaClamp® starting at 1"

**Application:**

Optimum for the illumination of bio-reactors, laboratory mixers, filters, boilers, tanks, agitators, separators, pipes and other sealed vessels in locations that are not potentially explosive.

Industries include pharmaceutical, biotech, food and chemical.

**Protection:**

Dust and waterjet tight to IP 65 per EN 60 529/ DIN VDE 0470, Part 1 and NEMA Types 4 & 4X.

**Operating conditions:**

Independent of the pressure/vacuum inside the vessel;  
Maximum allowable ambient temperature at the cable gland is 194°F (90°C).

Under no circumstances must this light be used for sealing purposes in a vessel port in lieu of a sight port.

**Electrical information:**

The Lumiglas lamp comes equipped with a 3 meter connecting cable.

**Operating Voltage:**

Without built-in transformer:

12 V 24 V, 120V... Halogen incandescent lamp, 20W, 50W or 100W

With built-in transformer:

120 V/ 230 V Halogen incandescent lamp 12 V/ 5W

230 V Halogen incandescent lamp 12 V/ 20W

**Built-in momentary push-button on/off switch:**

Momentary push button on/off switches are required on 50 & 100 Watt lights.

**Remote momentary push-button on/off switch:**

Ideal when the light cannot be activated from the sight glass location. Incorporated into an IP65 & NEMA 4, 4X enclosure. Please specify cable length.

**Internal timer:**

Can be activated by a built-in or remote switch. Allows hands free operation with expensive wiring.

**External timer:**

Mounted in a convenient location by the user, this IP65 & NEMA 4, 4X device allows hands free operation and longer bulb life.

**Mounting bracket:**

The mounting bracket and M6 screw for the lamp (pivoting hinge) is included. Adapter flange for mounting series MV weld-neck type sight port can be ordered separately.

**Sanitary clamp connection:**

This light is available with a sanitary clamp connection utilizing MetaClamp® technology. Specify a USL-35 light.

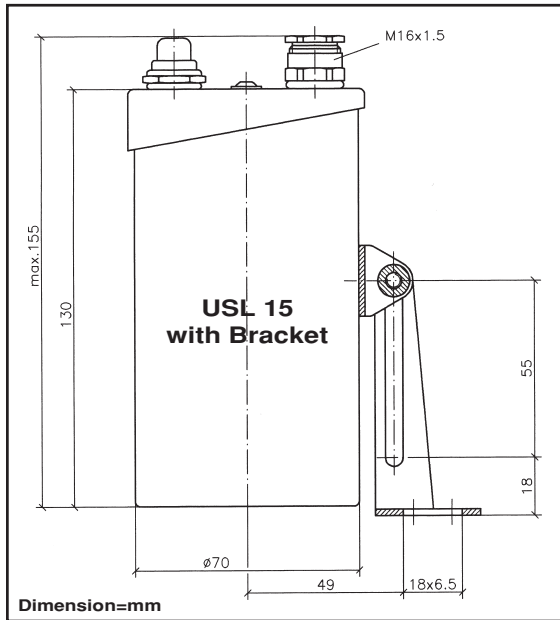


Stainless steel Lumiglas luminaire series USL 15



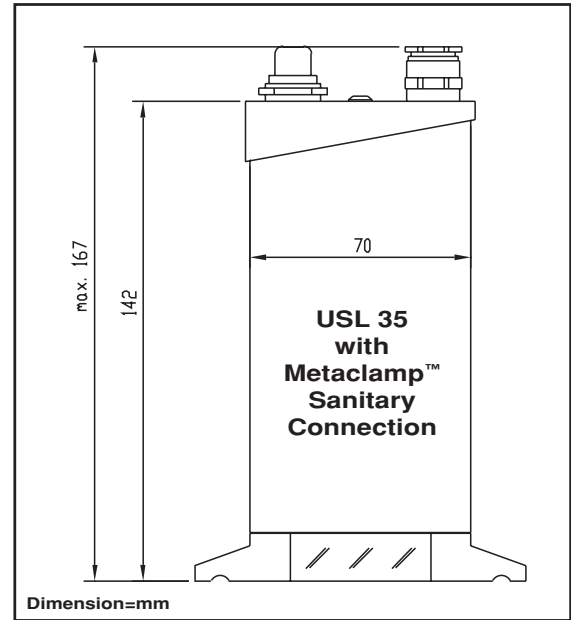
Stainless steel Lumiglas luminaire USL 15 with hinged bracket mounted onto a circular sight glass fitting series DIN 28 120

# Dimensions for Lumiglas® Luminaire Stainless Steel Series USL15 & USL 35



## Parts, Construction and Materials

- Body and Cover: 316 S.S.
- Fastenings: 304 S.S. (Hinged bracket or Adapter Flange)



## Specifications

| S.S. Lumiglas Luminaire USL 15 & USL 35 |                         |             |                 |                 |                |                      | Replacement Parts |               |                |
|---|-------------------------|-------------|-----------------|-----------------|----------------|----------------------|-------------------|---------------|----------------|
| Item                                    | Voltage/Wattage Options | Push Button | USL 15 Part No. | USL 35 Part No. | Supply Voltage | Built-In Transformer | Halogen Lamp      |               |                |
|   |                         |             |                 |                 |                |                      | Socket            | Voltage/Power | Part No.       |
| 1                                       | (120V/12V) 5 W          | –           | USL15-N5        | USL35-N5        | 120            | Yes                  | G4                | 12 V/5 W      | BLB-L5-G4N     |
| 2                                       | (230 V/12 V) 5 W        | –           | USL15-E5        | USL35-E5        | 230            | Yes                  | G4                | 12 V/5 W      | BLB-L5-G4N     |
| 3                                       | (12 V) 20 W             | Yes         | USL15-L20-S     | USL35-L20-S     | 12             | –                    | GY6.35            | 12 V/ 20 W    | BLB-L20-GYN    |
| 4                                       | (12 V) 20 W             | –           | USL15-L20       | USL35-L20       | 12             | –                    | GY6.35            | 12 V/20 W     | BLB-L20-GYN    |
| 5                                       | (24 V) 20 W             | Yes         | USL15-H20-S     | USL35-H20-S     | 24             | –                    | G4                | 24 V/20 W     | BLB-H20-G4N    |
| 6                                       | (24 V) 20 W             | –           | USL15-H20       | USL35-H20       | 24             | –                    | G4                | 24 V/20 W     | BLB-H20-G4N    |
| 7                                       | (120 V) 20 W            | Yes         | USL15-N20-S     | USL35-N20-S     | 120            | –                    | BA15D             | 120 V/20 W    | BLB-N20-BA15D  |
| 8                                       | (120 V) 20 W            | –           | USL15-N20       | USL35-N20       | 120            | –                    | BA15D             | 120 V/20 W    | BLB-N20-BA15D  |
| 9                                       | (230 V/12 V) 20 W       | Yes         | USL15-E20-S     | USL35-E20-S     | 230            | Yes                  | G4                | 12 V/20 W     | BLB-L20-G4N    |
| 10                                      | (12 V) 50 W             | Yes         | USL15-L50-S     | USL35-L50-S     | 12             | –                    | GY6.35            | 12 V/50 W     | BLB-L50-GYN    |
| 11                                      | (12 V) 50 W             | –           | USL15-L50       | USL35-L50       | 12             | –                    | GY6.35            | 12 V/50 W     | BLB-L50-GYN    |
| 12                                      | (24 V) 50 W             | Yes         | USL15-H50-S     | USL35-H50-S     | 24             | –                    | GY6.35            | 24 V/50 W     | BLB-H50-GYN    |
| 13                                      | (24 V) 50 W             | –           | USL15-H50       | USL35-H50       | 24             | –                    | GY6.35            | 24 V/50 W     | BLB-H50-GYN    |
| 14                                      | (120 V) 50 W            | Yes         | USL15-N50-S     | USL35-N50-S     | 120            | –                    | BA15D             | 120 V/50 W    | BLB-N50-BA15D  |
| 15                                      | (120 V) 50 W            | –           | USL15-N50       | USL35-N50       | 120            | –                    | BA15D             | 120 V/50 W    | BLB-N50-BA15D  |
| 16                                      | (24 V) 100 W            | Yes         | USL15-H100-S    | USL35-H100-S    | 24             | –                    | GY6.35            | 24 V/100 W    | BLB-H100-GYN   |
| 17                                      | (120 V) 100 W           | Yes         | USL15-N100-S    | USL35-N100-S    | 120            | –                    | BA15D             | 120 V/100 W   | BLB-N100-BA15D |

## Application Examples:

### Luminaire Mounting Options

- Hinged Bracket (M6 Screw) Part No. 0527.008.00 (included)
- Adapter Flange Series MV Part No. 1356.007.00 (order separately)
- 1" Sanitary Clamp Connection Part No. METACLAMP 1S35 (order separately)
- 2" Sanitary Clamp Connection Part No. METACLAMP 2S35 (order separately)
- 3" Sanitary Clamp Connection Part No. METACLAMP 3S35 (order separately)
- 4" Sanitary Clamp Connection Part No. METACLAMP 4S35 (order separately)



Installed on a Metaclamp® Sanitary Clamp connection size 3\"/>



Installed on a Series MV using Adapter Flange

# LJSTAR

PO Box 1116 • Twinsburg, OH 44087 • (330) 405-3040 • Fax 405-3070

INCORPORATED

E-mail: [view@listar.com](mailto:view@listar.com) • Website: [www.listar.com](http://www.listar.com)