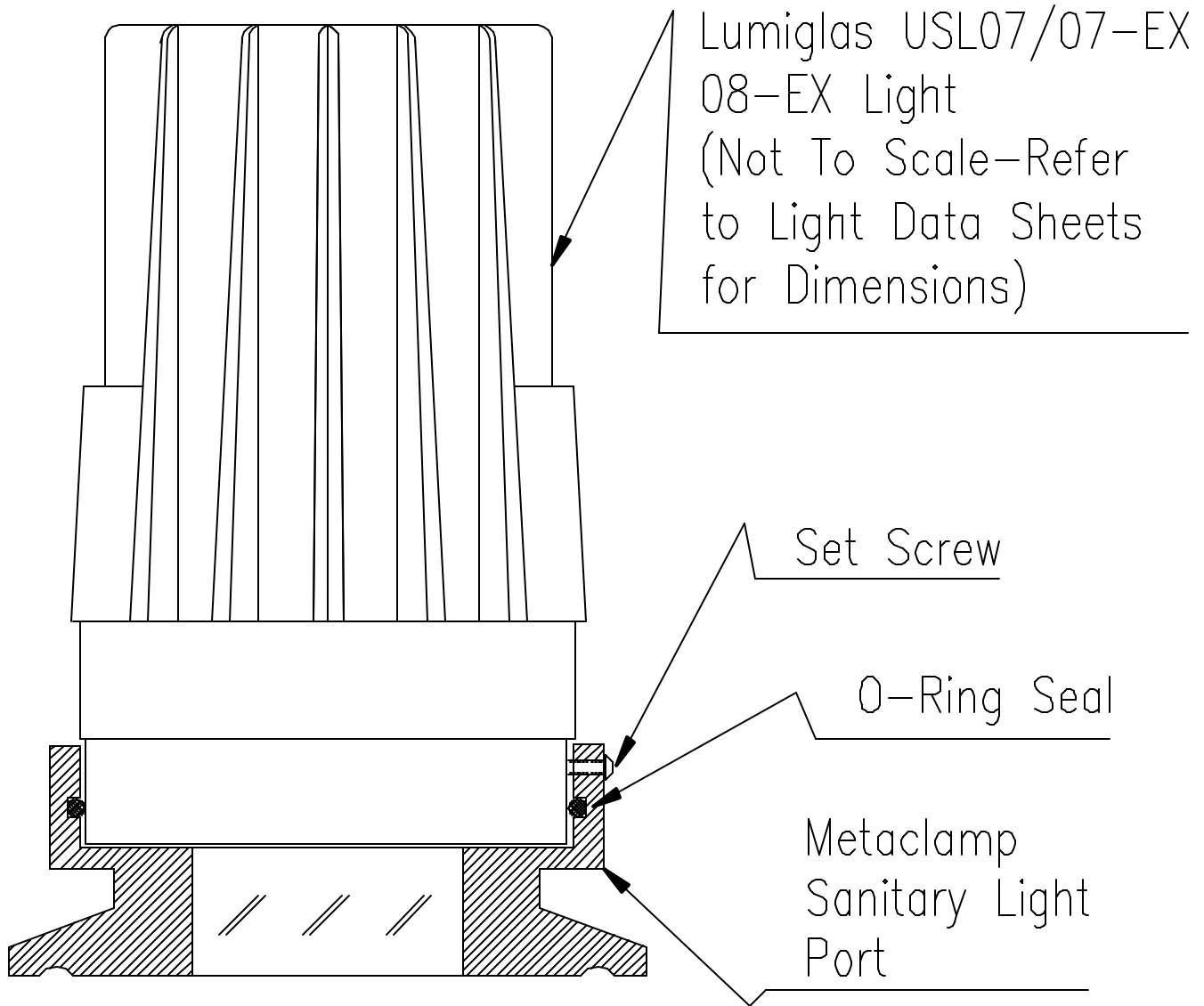


METACLAMP™ DISC
 FOR USL07/07-EX & USL 08-EX LIGHT

180-LE8



MANUFACTURED AND TESTED IN CONFORMANCE WITH A.D. STANDARDS SERIES H.P. & A.D. STANDARD WO/ TRD 100
 SIGHT GLASS FUSED TO METAL CONFORMING TO DIN 7079
 GLASS: BOROSILICATE (DIN 7080)
 RING MATERIAL: DUPLEX STAINLESS STEEL (1.4462)
 MAXIMUM ALLOWABLE WORKING TEMPERATURE: 536°F
 MAXIMUM ALLOWABLE WORKING PRESSURE: 150 PSIG (2, 3, 4"), 85 PSIG (6", 8")

REV. 1 DATE 3-18-02 (ADD 3" SIZE)	METAGLAS® SIGHT GLASS DISC SERIES METACLAMP FOR LUMIGLAS LIGHTS		L. J. STAR INCORPORATED 2396 EDISON BLVD. P.O. BOX 1116 TWINSBURG, OH 44087 (330)405-3040 * FAX (330)405-3070
	DATE	NAME	
	DES.		
	CH'ED.		