

**Lumiglas® Stainless Steel Luminaire,
Series USL 13**

ISO 9001

DATA SHEET 06.13 6/00

For use with sight glass fittings

This super-compact sight port luminaire is applicable for combination view/sight port (single port version) or separate light and sight port (dual-port version).

This powerful super-compact size luminaire is designed to give glare-free illumination with sight glass styles as follows:

- Circular weld-on sight glass series DIN 28 120 starting at DN 25
- Circular sight glass series ANSI Bolt-On starting at 2"
- Visual Flow Indicators starting at size 1/2"
- Circular weld-neck series MV starting at DN 50
- Sanitary clamp connection series MetaClamp starting at 1"

Application:

Optimum for the illumination of bio-reactors, laboratory mixers, filters, boilers, tanks, agitators, separators, pipes and other sealed vessels in locations that are not potentially explosive.

Excellent application in the pharmaceutical and food industry.

Protection:

Dust and waterjet tight to IP 65 per EN 60 529/ DIN VDE 0470, Part 1 and NEMA Types 4 & 4X.

Operating conditions:

Independent of the pressure/vacuum inside the vessel;
Maximum allowable ambient temperature at the cable gland is 194°F (90°C).

Under no circumstances must the Lumiglas lamp be used for sealing purposes in a vessel port in lieu of a sight port.

Electrical information:

The Lumiglas lamp comes equipped with a 3 meter connecting cable.

Operating Voltage:

Without built-in push-button:

12 V, 24 V, 120 V... Halogen incandescent lamp, 20W
2-pin socket G4

With built-in push-button:

12 V, 24 V, 120 V... Halogen incandescent lamp 50W
2-pin socket GY4 6.35

Transformers:

Transformers for 12 or 24 V secondary voltage available upon request.

Built-in momentary push-button on/off switch:

Momentary switches or timers are required for 50-Watt luminaires.

Mounting bracket:

The mounting bracket for the lamp (pivoting hinge) is included. Adapter flange for mounting series MV weld-neck type sight port can be ordered separately.

Sanitary clamp connection:

This light is available with a 1", 1-1/2", & 2" sanitary clamp connection utilizing MetaClamp™ technology. Specify a USL-33 light modified for sanitary connection.

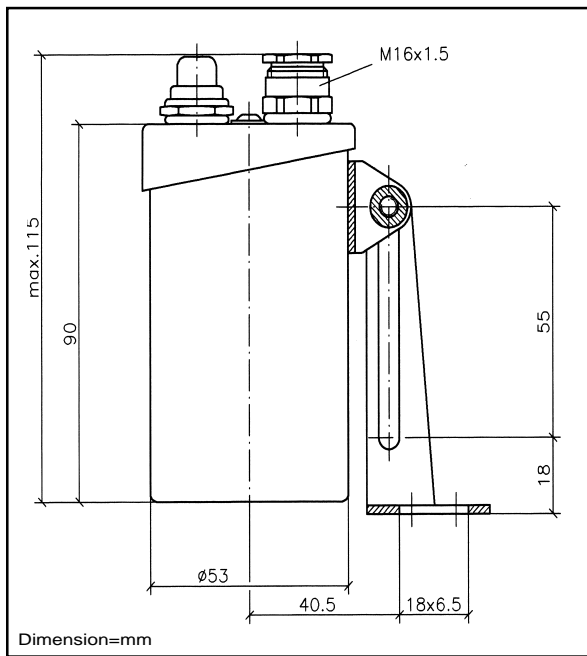


Stainless steel Lumiglas luminaire series USL 13



Stainless steel Lumiglas luminaire series USL 13 with hinged bracket mounted onto a circular sight glass fitting series DIN 28 120

Dimensions for Lumiglas® Luminaire Stainless Steel Series USL13



Parts, Construction and Materials

- Body and Cover: 304 S.S.
- Fastenings: 304 S.S. (Hinged bracket or Adapter Flange)
- Power Cable: 3 meters
- Weight: .58 kg

Connection Data

S.S. Lumiglas Luminaire USL 13					Replacement Parts		
Item	Series USL 13	Push Button	Part No.	Supply Voltage	Halogen Lamp		
					Socket	Type	Part No.
1	(12 V) 20 W	Yes	USL13-L20-S	12	GY6.35	12 V/20 W	BLB-L20-GYN
2	(12 V) 20 W	–	USL13-L20	12	GY6.35	12 V/20 W	BLB-L20-GYN
3	(24 V) 20 W	Yes	USL13-H20-S	24	G4	24 V/20 W	BLB-H20-G4N
4	(24 V) 20 W	–	USL13-H20	24	G4	24 V/ 20 W	BLB-H20-G4N
5	(120 V) 20 W	Yes	USL13-N20-S	120	GY6.35	120 V/20 W	BLB-N20-GYN
6	(120 V) 20 W	–	USL13-N20	120	GY6.35	120 V/20 W	BLB-N20-GYN
7	(12 V) 50 W	Yes	USL13-L50-S	12	GY6.35	12 V/50 W	BLB-L50-GYN
8	(12 V) 50 W	–	USL13-L50	12	GY6.35	12 V/50 W	BLB-L50-GYN
9	(24 V) 50 W	Yes	USL13-H50-S	24	GY6.35	24 V/50 W	BLB-H50-GYN
10	(24 V) 50 W	–	USL13-H50	24	GY6.35	24 V/50 W	BLB-H50-GYN
11	(120 V) 50 W	Yes	USL13-N50-S	120	GY6.35	120 V/50 W	BLB-N50-GYN
12	(120 V) 50 W	–	USL13-N50	120	GY6.35	120 V/50 W	BLB-N50-GYN

Note: USL 13 lights are not furnished with built-in transformers

Luminaire Mounting

- Hinged Bracket
- Adapter Flange Series MV
- 1", 1-1/2" Sanitary Connection
- 2" Sanitary Connection

Part No. 0527.008.00 (included)
 Part No. 1356.027.00 (separate order)
 Part No. METACLAMP 1S33 (separate order)
 Part No. METACLAMP 2S33 (separate order)

Application Examples:



Installed on a Metaclamp™ Sanitary Clamp connection size 2".



Installed on a Series MV using Adapter Flange

LJSTAR

INCORPORATED

PO Box 1116 • Twinsburg, OH 44087 • (330) 405-3040 • Fax 405-3070

E-mail: view@ljstar.com • Website: www.ljstar.com