

Over two years of engineering and design have resulted in a new industry standard for visual flow indicator technology.

Uncompromising levels of quality, safety and technological excellence are standard features in the complete line of L.J. Star Incorporated Standard Flanged Model visual flow indicators.

Description

All standard flanged models in the L.J. Star Incorporated line of visual flow indicators carry full ANSI rating* and are available in several application-specific configurations. ANSI designed for 150 psi or 300 psi, flanged units are available in sizes from 1/2" to 8".

Styles

Flanged units are available in four styles designed to accommodate various mounting positions, fluid characteristics, flow rates and directions:

- **Plain Style**
May be installed in any position to observe fluid flow in any direction. These style indicators are usually employed to detect either the presence or absence of solutions, or to observe fluids for turbulence, color or clarity.
- **Drip Tube Style**
This style is well suited for vertical lines with downward flow direction. These units are particularly recommended for applications characterized by low or intermittent flow rates, such as distillation processes.
- **Flapper Style**
Recommended for monitoring either horizontal or vertical lines with upward flow. The flapper position indicates current flow rate. Flapper style indicators are the appropriate choice for use with clear and semi-opaque solutions.
- **Rotator Style**
This style indicator may be installed in any position to indicate flow in any direction. The visibility of rotor motion makes this style particularly well-suited for monitoring clear, translucent or dark solutions.



Standard Flanged Visual Flow Indicator

Materials of Construction

- **Standard alloys**
316 stainless steel; carbon steel
- **Optional alloys**
Monel®; Hastelloy®; Alloy 20
- **Standard gasket materials**
Neoprene; PTFE
- **Optional gasket materials**
BUNA N; Viton®; silicone, graphite, and non-asbestos gaskets

Standard Safety and Maintenance Features

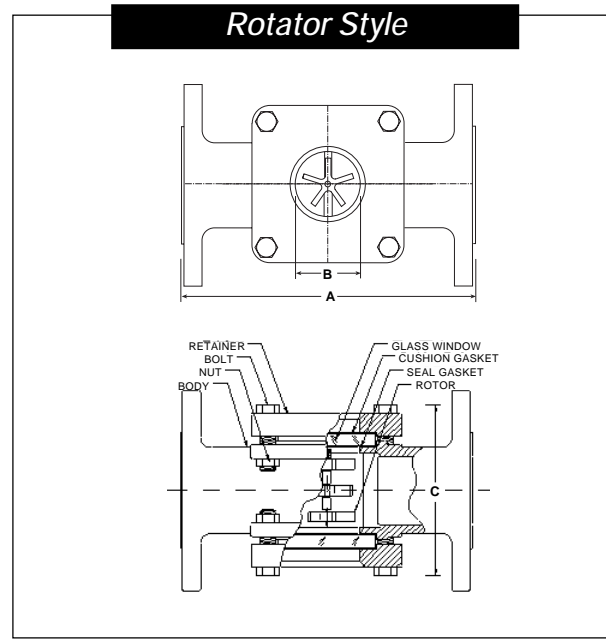
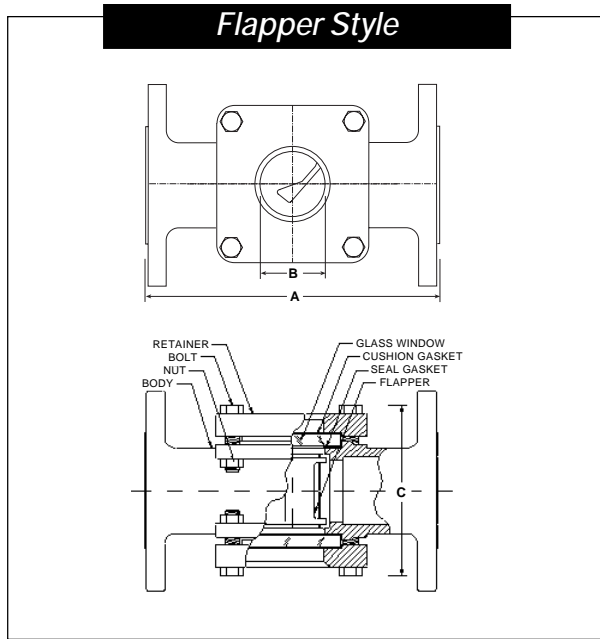
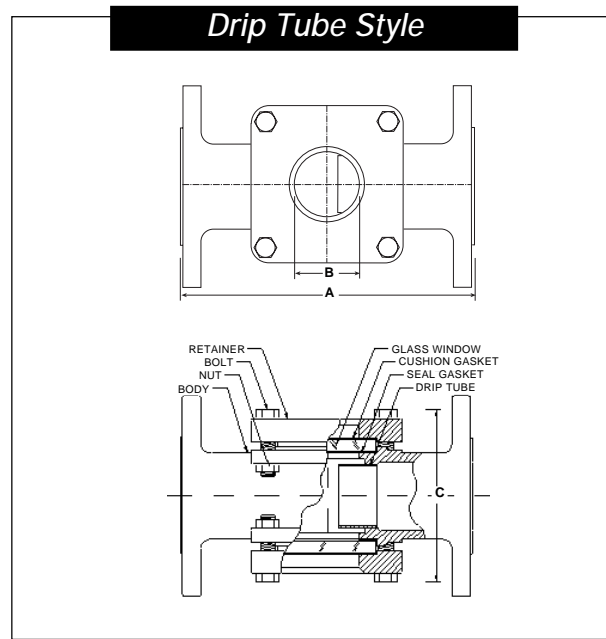
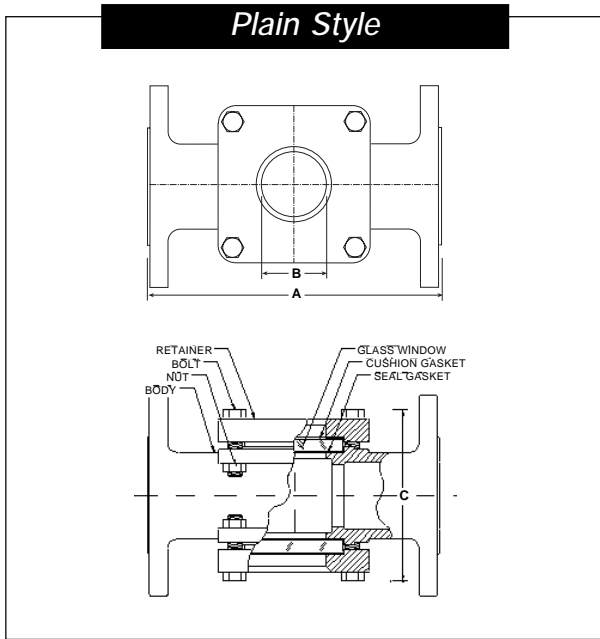
- Independently bolted glass retainers**
- Tempered borosilicate glass
- Investment cast surface finish***
- Acrylic enamel coating (carbon steel unit)
- Cast steel glass retainers
- Stainless steel glass retainers and Teflon® gaskets (stainless steel units)****
- In-stock delivery

Ordering Information

Contact your nearest L.J. Star representative.

*Except 8" 150# unit which is nominal ANSI rated **8" 150# units use cross bolts ***Except 6" & 8" units ****6" & 8" units have cast steel retainers

Dimensions



150 psi Standard Flanged Model

Pipe Size	Dimension			Approx. Wt. (Lbs.)
	A	B	C	
1/2"	4 ⁵ / ₈ "	1 ¹ / ₄ "	4 ³ / ₁₆ "	6
3/4"	4 ⁵ / ₈ "	1 ¹ / ₄ "	4 ³ / ₁₆ "	6
1"	5 ⁵ / ₈ "	1 ¹ / ₄ "	4 ¹ / ₈ "	11
1 1/2"	6 ¹ / ₂ "	1 ³ / ₄ "	5 ³ / ₈ "	17
2"	7 ¹ / ₈ "	2"	6 ¹ / ₈ "	27
3"	9 ³ / ₈ "	3 ³ / ₁₆ "	7 ³ / ₄ "	56
4"	11"	4 ³ / ₈ "	10 ⁵ / ₈ "	75
6"	14 ¹ / ₄ "	6 ⁷ / ₈ "	12 ³ / ₄ "	150
8"	16 ¹ / ₈ "	8 ¹ / ₄ "	16 ⁷ / ₈ "	230

300 psi Standard Flanged Model

Pipe Size	Dimension			Approx. Wt. (Lbs.)
	A	B	C	
1/2"	5 ⁷ / ₈ "	1 ¹ / ₄ "	4 ³ / ₁₆ "	9
3/4"	5 ⁷ / ₈ "	1 ¹ / ₄ "	4 ³ / ₁₆ "	9
1"	6 ⁷ / ₈ "	1 ¹ / ₄ "	4 ¹ / ₂ "	12
1 1/2"	7 ¹ / ₂ "	1 ³ / ₄ "	5 ⁷ / ₈ "	19
2"	8 ⁵ / ₈ "	2"	6 ³ / ₈ "	30
3"	11 ³ / ₈ "	3 ³ / ₁₆ "	8 ³ / ₈ "	62
4"	13 ¹ / ₄ "	4 ³ / ₈ "	12 ¹ / ₄ "	84
6"	21 ³ / ₈ "	6 ⁷ / ₈ "	14 ³ / ₄ "	162
8"	23"	6 ⁷ / ₈ "	16 ¹ / ₄ "	250

The specifications contained herein are subject to change without notice and any user of said specifications should verify from the manufacturer that the specifications are currently in effect. Otherwise, the manufacturer assumes no responsibility for the use of specifications which may have been changed and are no longer in effect.