

**Sightglass Wiper with flexible remote drive shaft type SW II**

- for circular sightports to DIN 28120 or similar -

**ISO 9001**

DATA SHEET 02.02. 6/97

**Application:**

For manual cleaning of inside glass surface of sightports, particularly suitable for pressure and vacuum vessels requiring test certification for explosion or non-explosion hazardous operations.

**Fitting:**

By means of pressure tight glands, through the flanges of the sight-glass assembly.

The wiper unit is suitable for circular sightport assemblies of nominal bore DN 100...200.

**Operating Conditions:**

The wiper operates vacuum tight, and pressure tight to 235 psi. The max operating temperature is 200 °C, depending on sightglass disc material.

**Possible Combinations:**

Wiper SW II may be combined with any LUMIGLAS luminaire as well as with a spray device.

**Certificates/Testing:**

Certificates of material testing authority of State of Nordrhein-Westfalen, Dortmund, Germany, are available.

**Assembly/Alternative Materials of Construction**

for the complete set of parts:

- Wiperblade: PTFE or silicone rubber
- Wiperblade mechanics: all product contact metal parts are made of stainless steel
- Internal seal of wiper mechanism: PTFE

- Item 1 operating lever with free-wheel return (uni-directional)
- Item 2 seal gland fittings
- Item 3 guide tube for flexible drive shaft
- Item 4 wiper blade holder with wiper blade

**Assembly and Installation Instructions:**

The drive to the wiper blade holder is by means of flexible shaft/cable which can be driven from the exterior by means of the operating lever with a freewheel action. This ensures that the drive cable is always rotated one way only.

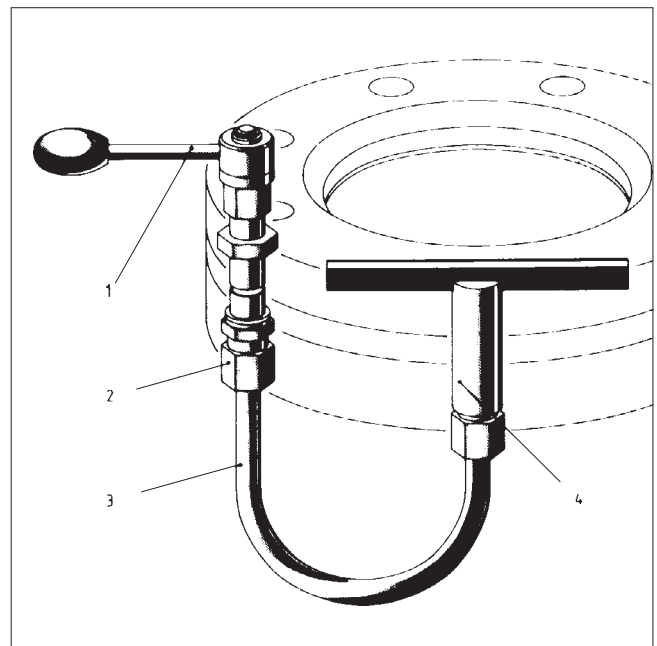
Detailed installation instructions are supplied with the wiper system parts.

When the wiper type SW II is supplied together with a flange assembly, welding flange and cover flange are factory machined.

All dimensions in mm unless stated otherwise.  
Subject to change without prior notice



Wiper type SW II built into sightport DIN 28120

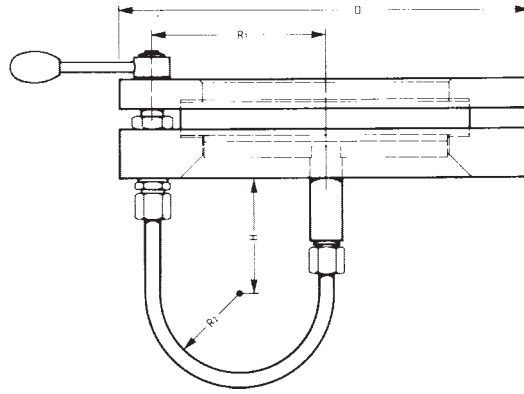


Sketch of assembly

ISO 9001 QA CERTIFICATE  
GERMAN MANUFACTURER:  
F.H. PAPPENMEIER AWARDED QA APPROVAL CERTIFICATE



## Dimensions for Port Wipers with flexible shaft type SW II BW:



Size		1	2	3	4
Nominal bore assembly	DN	100	125	150	200
for viewing diameter	d1	125	150	175	225
Wipers	D	220	250	285	340
	R1	93	105	120	147.5
	R2	41.5	47.5	55	68.7
	H	79.5	70	87.5	66
Part Number		7223.034.00	7223.035.00	7223.036.00	7223.037.00

Dimensions in mm.

## Spares

Wiperblades	for sizes/DN	length of wiperblade mm	silicone rubber part number	PTFE part number
	1/100	122	9468.020.00	9468.031.00
	2/125	148	9468.021.00	9468.032.00
	3/150	174	9468.022.00	9468.033.00
	4/200	222	9468.023.00	9468.034.00
Flexible Drive	for sizes/DN	part number		
	1/100 2/125	9223.014.00		
	3/150 4/200	9223.016.00		

### Ordering Information:

e.g. LUMIGLAS - Sightglass wiper type SW II, size 4, silicone rubber wiperblade

If ordering in combination with a sightport assembly, please always state the type:

1. sightglass fitting (DN/PN), materials
2. dimensions and type of the sightglass disc (borosilicate, soda lime glass)