

Sightglass Wiper type SW I

- for circular sightports to DIN 28120 or similar -

ISO 9001

DATA SHEET 02.01. 6/99

Application:

For manual cleaning when needed of inside glass surface of sightports.

Installation

Into sightglass disc with central bore hole 10.5 mm (.413") dia. (similar to DIN 7080/8902, see also data sheet 00.03/...), suitable for sightglass assemblies from a nominal bore DN 50 to DN 400.

Operating Conditions:

The wiper operates vacuum tight, and pressure tight to min. 15 psi, and, depending on the size of the sightglass disc, up to 90 psi. The max permissible operating temperature is 220 °C, depending on the type of glass used.

Possible Combinations:

Combination is possible with such LUMIGLAS luminaires which are installed on the outside of the sightglass fittings. Depending on the luminaire type, wiper SW I can be combined with:

- Lumistar from viewing diameter 5" (size DN 100 Model DIN 28120)
- USL 03 from viewing diameter 4" (size DN 80 Model DIN 28120) (see table overleaf for other combinations).

Certificates/Testing:

Certificates of the state material testing authority of Nordrhein-Westfalen, Dortmund, are available.

Assembly

- Item 1 T-Grip (optional: lever grip at extra cost)
- Item 2 locating pins
- Item 3 spacer collar
- Item 4 spacer collar
- Item 5 compression spring
- Item 6 bush
- Item 7 glass disc
- Item 8 gasket
- Item 9 O-ring seal
- Item 10 flanged bush
- Item 11 wiper spindle
- Item 12 O-ring seals
- Item 13 bearing sleeve
- Item 14 wiper blade inserts
- Item 15 wiper blade holdings
- Item 16 locating pin

All product contact metal parts of the disc wiper are of stainless steel.

Fitting and Assembly Instructions:

If the wiper is ordered separately, i.e. not installed into a sightglass disc by the manufacturer, it comes with assembly and fitting instructions.

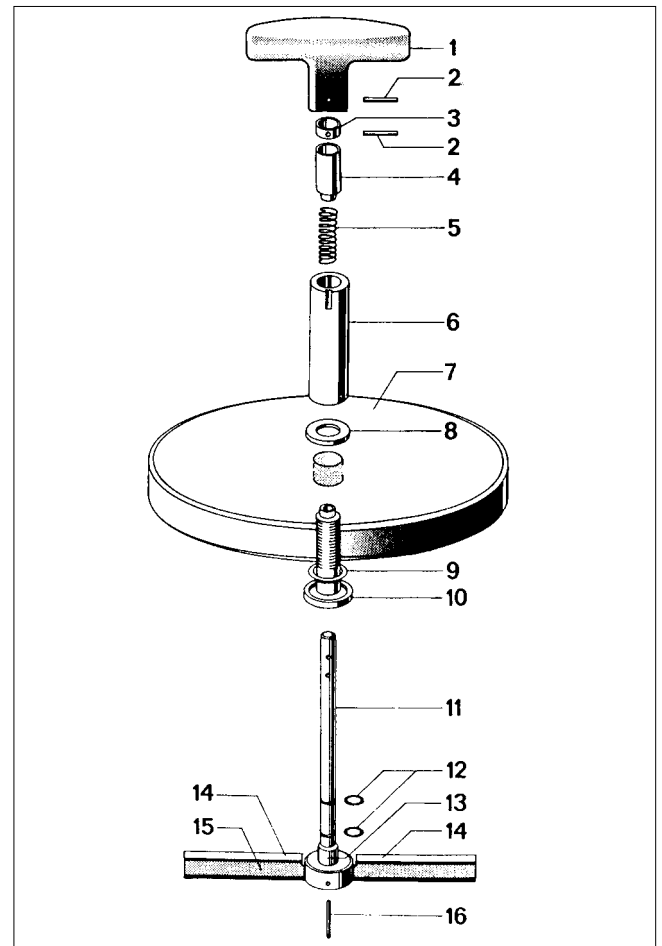
ISO 9001 QA CERTIFICATE

GERMAN MANUFACTURER:

F.H. PAPPENMEIER AWARDED QA APPROVAL CERTIFICATE

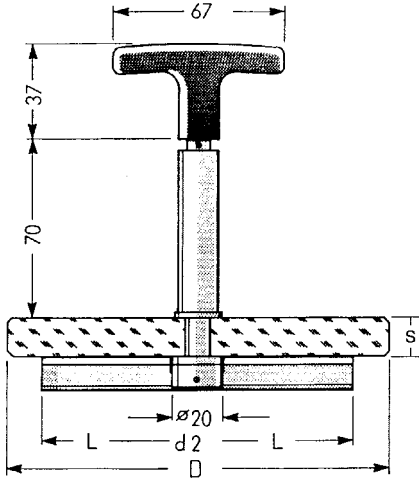
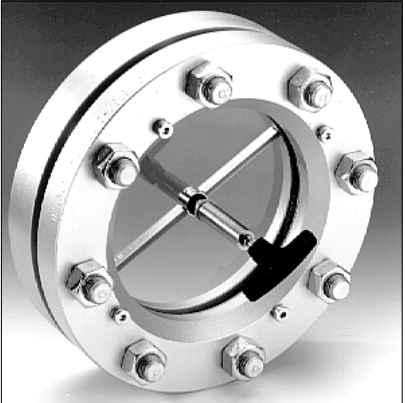
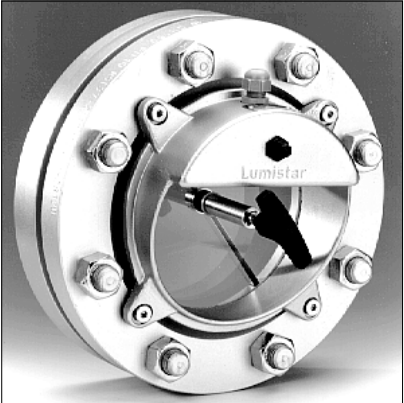


Sightglass wiper type SW I built into a sightglass disc



Exploded view of components

Dimensions for Port Wipers type SW I:

														
			Lumiglas wiper SW 1, fitted into sight glass assembly DIN 28120			Wiper SW 1 into a DIN 28120 sight port, combined with a Lumistar luminaire								
Size		3	4	5*	6*	7*	8*	9	specials sizes					
Nominal diameter	D N	50	80	100	125	150	200	250	300	350	400			
Viewing diameter	d 1	80	100	125	150	175	225	on request						
Sightglass disc	D**	100 (3.94")	125 (4.92")	150 (5.91")	175 (6.89")	200 (7.87")	250 (9.84")							
	s	15	15	15/20	15/20	15/20	15/25							
	PN max. .bar	6	6	4/6	4/6	2/4	1/2	depending on wiper blade and inside diameter of the fitting						
Wiper blade	d 2	77	97	122	147	172	222							
Part number 7223 . - - - .00 (replace - - - with the respective figures, e.g. 065)		.062.	.063.	.064.	.065.	.066.	.067.							
All dimensions in mm unless stated otherwise. Subject to change without prior notice Inch dimensions approx.				* Combination with Lumiglas luminaire possible; NB: Combination with Lumistar 225, SLK and USL styles only with ratchet drive/lever version ** Use mm dimensions for accuracy										

Spares

Wiperblades	for sizes	L	Silicone rubber Part number	PTFE Part number
	3	28.5	9468.062.00	9468.072.00
	4	38.5	9468.063.00	9468.073.00
	5	51	9468.064.00	9468.074.00
	6	63.5	9468.065.00	9468.075.00
	7	76	9468.066.00	9468.076.00
	8	101	9468.067.00	9468.077.00
	9 to 12	depending on glass diameter and inside diameter of the fittings		
Seals	for sizes	diam. x s	part number	
Viton O-ring seal (no. 12 overleaf)	1 to 6	4 x 1	0862.019.00	
Viton O-ring seal (no. 9 overleaf)	1 to 6	12.37 x 2.62	0862.024.00	

Ordering Information:

e.g. LUMIGLAS - Sightglass wiper type SW I, size 3, wiperblade PTFE

If a sightglass disc is needed as well, please specify the following data:

- Borosilicate or soda lime glass (see data sheet 00.03/...)
- Sightglass disc size (diameter x s)
- nominal fittings diameter DN
- effective operating pressure for this vessel
- for wiper blades sizes 9 and larger, please specify the inside diameter of the fitting

Note:

A sightglass disc is not automatically included in the supply. Please order sightglass discs separately.

L.J.STAR

INCORPORATED

PO Box 1116 • Twinsburg, OH 44087 • (330) 405-3040 • Fax 405-3070

E-mail: view@ljstar.com • Website: www.ljstar.com